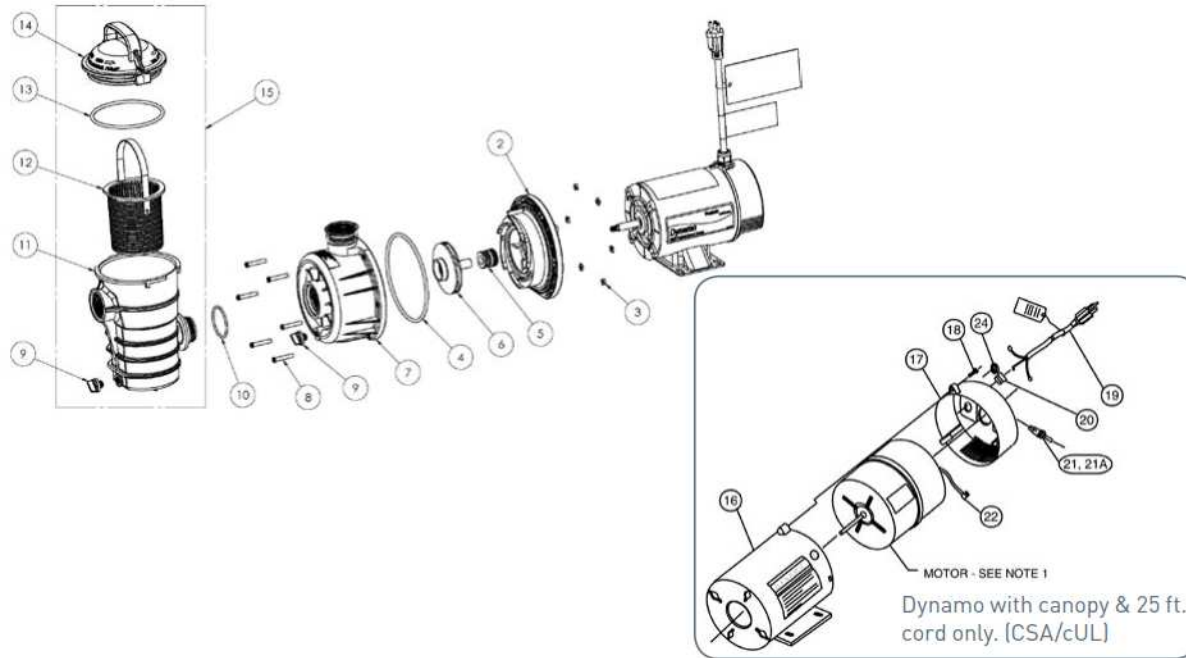


DYNAMO® PUMP

REPLACEMENT PARTS



Item	Part No.	Description	US List	Can. List
DYNAMO PUMPS				
MOTORS				
2	354632	Diffuser, 3/4 HP bracket	95.17	98.03
2	354633	Diffuser, 1, 1-1/2 HP bracket	95.17	98.03
3	354542	Nut, 10-24 SS, 6 req.	1.42	1.46
4	354634	O-ring, 3/16 in. bracket diffuser	7.38	7.60
5	354545S	Seal, 5/8 in. mechanical	26.21	27.00
6	353002	Impeller, 1/2 HP	33.18	34.18
6	354552	Impeller, 3/4 HP	26.99	27.80
6	355122	Impeller, 1 HP	31.32	32.26
7	354630	Housing, body	105.55	108.72
8	354541	Screw, 10-24-1-1/2 in. slotted hex, 6 req.	1.95	2.01
9	U178-920P	Drain plug assy. - 2 req.	3.05	3.14
10	273062	O-ring	1.48	1.52
11	354530	Pot	93.52	96.33
12	354548	Basket w/ handle	17.60	18.13
13	354533	O-ring, lid	8.24	8.49
14	354531	Lid, universal	52.23	53.80
14	354113	Chemical Resistant Lid	52.23	53.80
15	354103	Pot assembly	207.74	213.97

Item	Part No.	Description	US List	Can. List
DYNAMO WITH CANOPY AND 25 FT. CORD ONLY (CSA/cUL)				
16	354621	Body, motor enclosure	45.06	46.41
17	354881	Cap, motor enclosure (on/off)	58.62	60.38
17	354882	Cap. motor enclosure (two-speed)	58.62	60.38
18	154716	Screw, No.10 self tapping	0.67	0.69
19	155371	Cord, 25 ft.	70.90	73.03
20	41412700	Bushing connector	9.80	10.09
21	155187	Switch, on/off toggle (CSA)	20.08	20.68
21A	356546	Switch, three position toggle (Hi/Low/Off)	51.20	52.74
22	155193	Wire, 6 in. jumper	5.90	6.08
24	350024	Locknut, steel 1-1/2 in.	0.80	0.82
NOT SHOWN				
	352256	Nut, 1-1/2 in. quick connect, 2 req.	9.13	9.40
	354571	O-ring, 2 req.	3.19	3.29
	79137800	3 ft. cord standard assembly	58.91	60.68
	352245	Strain relief bushing for cords	3.88	4.00
	350444	Canopy switch assembly, on/off ¹	43.68	44.99
	350481	Canopy with on-off switch ²	CALL	CALL
	356546	Motor switch assembly, two-speed	51.20	52.74
	155380Z	Base CSA 4 in.	77.33	79.65
	155234	3 ft. cord TW	71.78	73.93

¹ Pumps manufactured before 4/13.

² Pumps manufactured after 4/13.