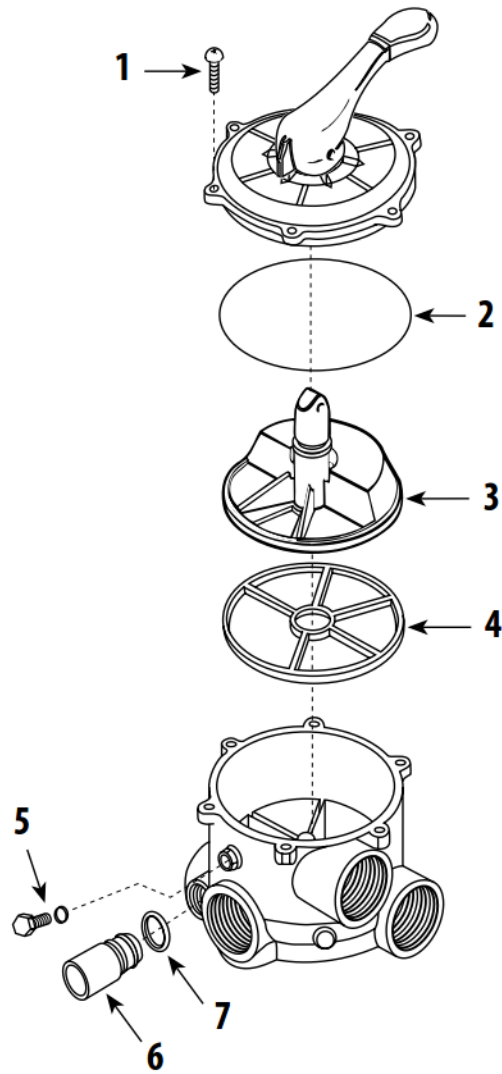


Item	Part No.	Description
1	515-2041T	26" Sand Filter Body
2	419-4201	2 1/2" Threaded Coupler (2 required)
3	550-5410	2 1/2" Outlet Assembly
4	550-5420	2 1/2" Inlet Assembly
5	600-1500UCP	2 1/2" Slide Valve Assembly
6	519-5310	Sand Fill Guide
7	519-5320	Diffuser Disbursement Basket Cap
8	519-5370	Twist-Lock Lateral (12 required)
9	519-5301	Access Dome Cover
10	872-2130D	Tubing - 3/8" outer diameter x 32" height
11	519-5330SC	Diffuser Disbursement Basket
12	602-5310	Self-Threading Drain Screen
13	602-5301	Drain Screen Cap (2010 and earlier)
	602-5321	Drain Screen Cap (new style - 2011)
14	805-0339BN50	O-Ring (2 required)
15	817-0001	2" Polyester Sock
16	805-0224	O-Ring - Drain Screen Cap
17	805-0116EP	O-Ring
18	715-6011	Air Bleeder Plug
19	805-0442	O-Ring - Access Dome Cover
20	872-0046	Multi-Port Valve Clamp Kit with Nuts & Bolts
21	672-5301	Filter Base
22	830-3000	Pressure Gauge
23	600-4101	Bezel Cover Assembly
24	550-5430	Basket Assembly
25	519-5421	Sand Fill Cap

SIDE MOUNT



Item	Part No.	Description	Valve Size
1	819-0010	Screw	1 ½" and 2"
2	873-E752	O-Ring - Cover	1 ½"
	805-0254	O-Ring - Cover	2"
3	602-1910	Diverter (Noryl)	1 ½"
	873-E1011S2	Diverter (Noryl)	2"
4	873-E1251	Spider Gasket (T.P.E.)	1 ½"
	873-E1252	Spider Gasket (T.P.E.)	2"
5	873-E1551	¼" Plug	1 ½" and 2"
6	873-E1751	Sight Glass (Lexan)	1 ½" and 2"
7	873-E1651	Sight Glass Gasket	1 ½" and 2"