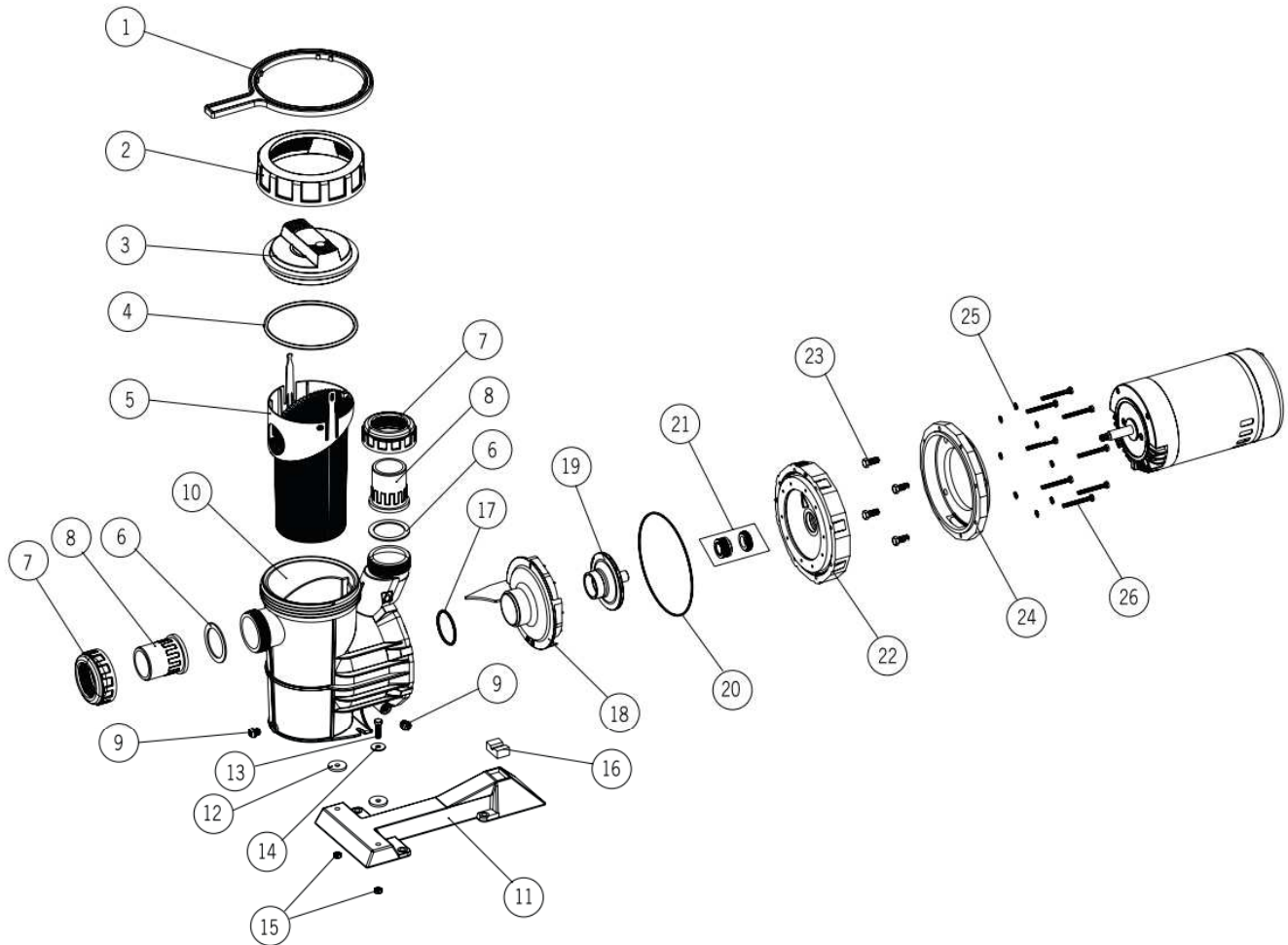


# Sprint 2000 - US-1 Pump



Single Speed de 3/4, 1, 1 1/2, 2 & 2 1/2 HP Code: IGP2007, IGP2010, IGP2015, IGP2020, IGP2025

Dual Speed 1, 1 1/2 & 2 HP Code: IGP2010D, IGP2015D, IGP2020D



ITEM	PART NO.	DESCRIPTION	QUAN.
1	024309171	STRAINER LID TOOL	1
2	00648-0001	COVER LOCKING RING	1
3	23372-0101	STRAINER LID	1
4	720R1517069	STRAINER LID O-RING	1
5	01150-0202	STRAINER BASKET	1
6	01150-0301	UNION FLAT GASKET	2
7	00611-0002	UNION NUT	2
8	15623-0302	CONNECTION UNION 1 1/2"-2"	2
9	02121	DRAIN PLUGS	2
10	23372-0203	PUMP HOUSING	1
11	15752-0002	PUMP BASE	1
12	01150-0503	ANTIVIBRATION WASHER	2
13	9920179442	PUMP BASE BOLT	2
14	70139R08000	PUMP BASE WASHER	2
15	9922179400	PUMP BASE WASHER	2
16	01150-0502	ANTIVIBRATION SUPPORT	1
17	723R0567035	DIFFUSER O-RING	1
18	05091-0003	DIFFUSER FOR 3/4, 1 & 1 1/2 HP MOTOR	1
18	05093-0003	DIFFUSER FOR 2 & 2 1/2 HP MOTOR	1
19	23373-0002	IMPELLER FOR 3/4 HP MOTOR	1
19	23374-0002	IMPELLER FOR 1 HP MOTOR	1
19	23375-0002	IMPELLER FOR 1 1/2 HP MOTOR	1

ITEM	PART NO.	DESCRIPTION	QUAN.
19	23376-0002	IMPELLER FOR 2 HP MOTOR	1
19	23377-0002	IMPELLER FOR 2 1/2 HP MOTOR	1
20	7731838026	MOTOR CLAMP O-RING	1
21	PSR-201-OEM	SEAL ASSEMBLY	1
22	23372-0005	SEAL PLATE	1
23	9920195222	MOTOR BOLT	4
24	23372-0001	MOTOR CLAMP	1
25	9920763553	FLAT WASHER	8
26	9920763552	HOUSING BOLTS	8