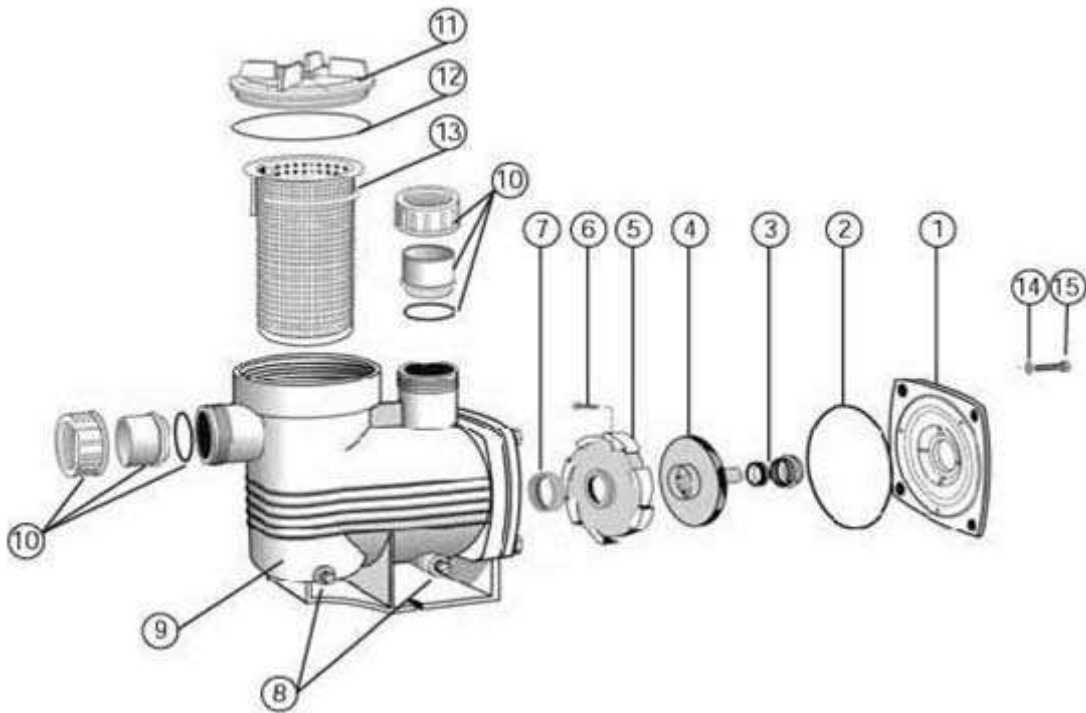


## SupaMite Series Pumps



| SupaMite Parts |           |                        |              |
|----------------|-----------|------------------------|--------------|
| Key No.        | Part No.  | Part Description       | Qty Per Pump |
| 1              | 6350624   | Adaptor Plate          | 1            |
| 2              | S1226911  | Pump Body O Ring       | 1            |
| 3              | 634016    | Mechanical Seal        | 1            |
| 4              | 6350640   | 0.5hp Impeller         | 1            |
| 4A             | 6350650   | 0.75hp Impeller        | 1            |
| 4B             | 6350660   | 1.00hp Impeller        | 1            |
| 4C             | 6350670   | 1.50/2hp Impeller      | 1            |
| 5              | 635061    | Diffuser               | 1            |
| 6              | 6340081   | Diffuser Screws        | 4            |
| 7              | 635060    | Diffuser Gasket        | 1            |
| 8              | 634023    | Drain Plug             | 2            |
| 9              | 635081    | Pump Face H/L Pot Bdy  | 1            |
| 10             | 122243B   | 1 1/2" Half Union Assy | 2            |
| 11             | 635051    | H/L Pot Lid            | 1            |
| 12             | 635052    | H/L Pot Lid O Ring     | 1            |
| 13             | 635086    | H/L Pot Basket         | 1            |
| 14             | 632018    | Pump Body Washer       | 4            |
| 15             | 6350531   | Pump Body Bolt         | 4            |
| N/S            | 635074USA | Foot Base              | 1            |
| N/S            | 143000    | 6 Foot Cord            | 1            |
| N/S            | 143001    | 3 Foot Twist Lock      | 1            |