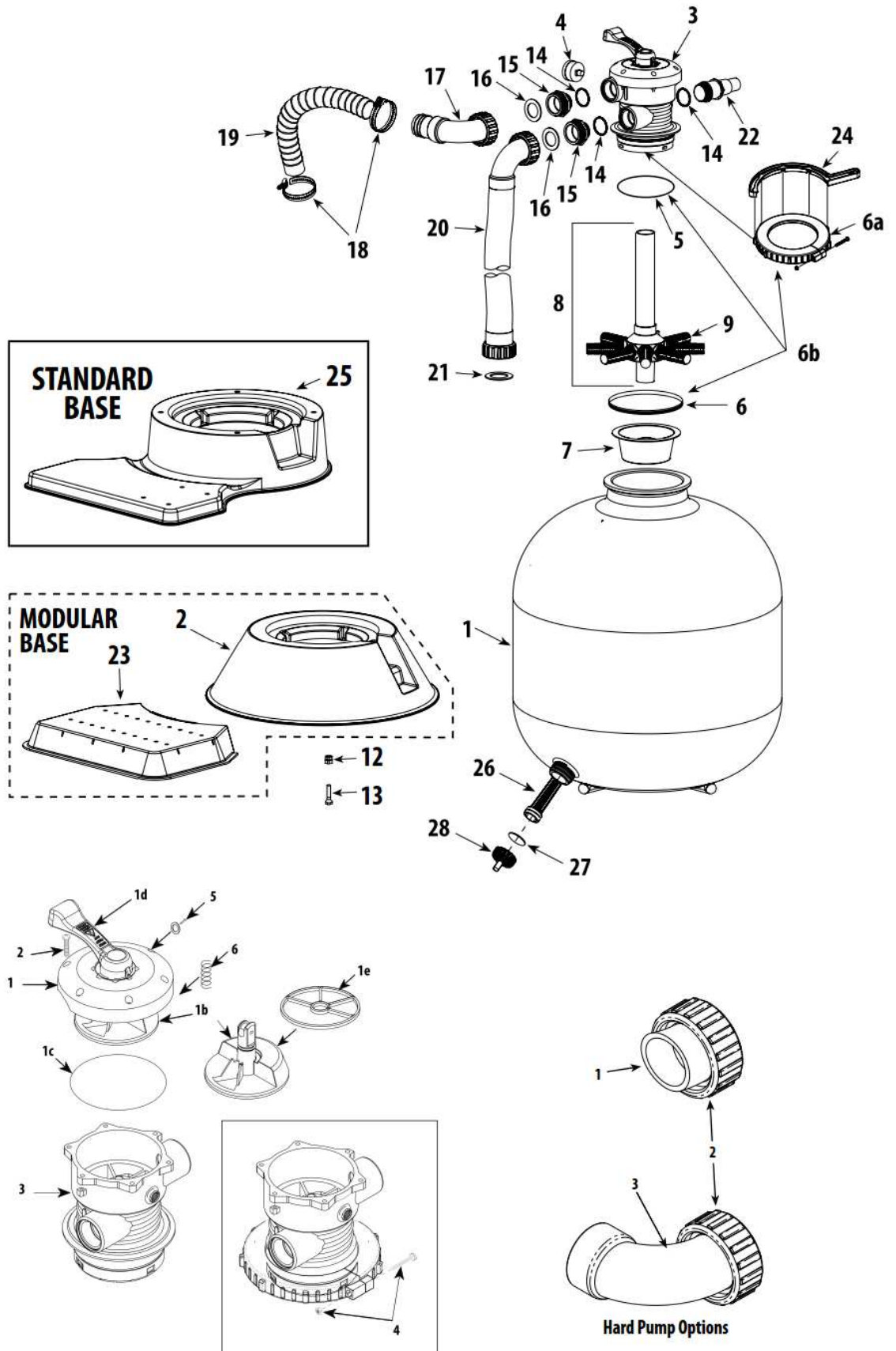




Replacement Parts / Carefree Sand Filter



Multi-Port Valve Assembly

Carefree Sand Filter Replacement Parts

Item	Part No.	Description
1	505-0271	16" Oval Sand Filter Body with Threaded Sleeve Assembly
	505-0281	19" Oval Sand Filter Body with Threaded Sleeve Assembly
	505-0291	22" Oval Sand Filter Body with Threaded Sleeve Assembly
	505-0301	26" Oval Sand Filter Body with Threaded Sleeve Assembly
2	672-7211	Modular Filter Base
3	WVS003	1 1/2" Multi-Port Valve Assembly - Split-Nut
4	830-3000	Pressure Gauge
5	805-0435	O-Ring - Multi-Port Valve
6	505-3000	Threaded Sleeve Assembly
6a	505-3010	Split-Nut Assembly - Multi-Port Valve
6b	505-3020	Split-Nut Assembly - Multi-Port Valve with Thread Sleeve and O-Ring
7	502-2011	Sand Fill Guide
8	505-2140	Lateral and Manifold Assembly - 16" Filter
	505-2150	Lateral and Manifold Assembly - 19" Filter
	505-2160	Lateral and Manifold Assembly - 22" Filter
	505-2180	Lateral and Manifold Assembly - 26" Filter
9	505-1930	Lateral - Thread Style <i>(8 required)</i>
	519-5370	Lateral - 22" and 26" Sand Filter <i>(12 required)</i>
10	505-2020	Drain Assembly (2004 and earlier)
11	505-2030	Drain Cap Assembly (2004 and earlier)
12	820-0017	3/8" Flat Washer
13	819-0016	3/8" Bolt - 16 x 2" Hex - 22" & 26" Sand Filter
	819-0019	3/8" Bolt - 16 x 1 1/2" Hex - 19" Sand Filter
	819-0020	3/8" Bolt - 16 x 1 1/4" Hex - 16" Sand Filter
14	805-0224	O-Ring - 1 1/2" Buttress x 1 1/2" MPT Fitting
15	417-4161	1 1/2" Buttress x 1 1/2" MPT Tailpiece
16	711-4000	1 1/2" Union Gasket
17	550-1841	Return Sweep Assembly
18	872-0011	Hose Clamp - Stainless Steel - 2 1/2"
19	872-9002	Corrugated Hose - Black - 1 1/2" x 6 ft.
20	550-1821	PVC Flex Hose Assembly - 19" Sand Filter
	550-1831	PVC Flex Hose Assembly - 22" Sand Filter
	550-1833	PVC Flex Hose Assembly - 26" Sand Filter
21	711-4010	2" Union Gasket
22	425-1928	Waste Adapter Fitting
23	672-7201	Pump Base
24	505-1970	Collar Wrench for Threaded Style Split-Nut
25	672-7241	Standard One-Piece Base
26	602-5310	Self-Threading Drain Screen
27	805-0224	O-Ring - 1 1/2" Heater Tailpiece
28	602-5301	Drain Screen Cap (2010 and earlier)
	602-5321	Drain Screen Cap (new style - 2001)

Multi-Port Valve Assembly Replacement Parts

1	600-9600	Multi-Port Lid Assembly
1b	600-9500	Diverter Valve Assembly with Gasket
1c	805-0254	O-Ring - Lid
1d	602-1931	Lid Handle Only
1e	711-1910B	Diverter Gasket (Spider) <i>(Note: purchasing gasket glued into diverter by factory recommended)</i>
2	819-0010	Screw - Lid
3	820-0013	Serrated Hex Nut
4	800-0100	1 1/2" Split-Nut Bolt & Nut Kit
5	800-0150	O-Ring Kit with Pin & Washer
6	827-0002	Spring

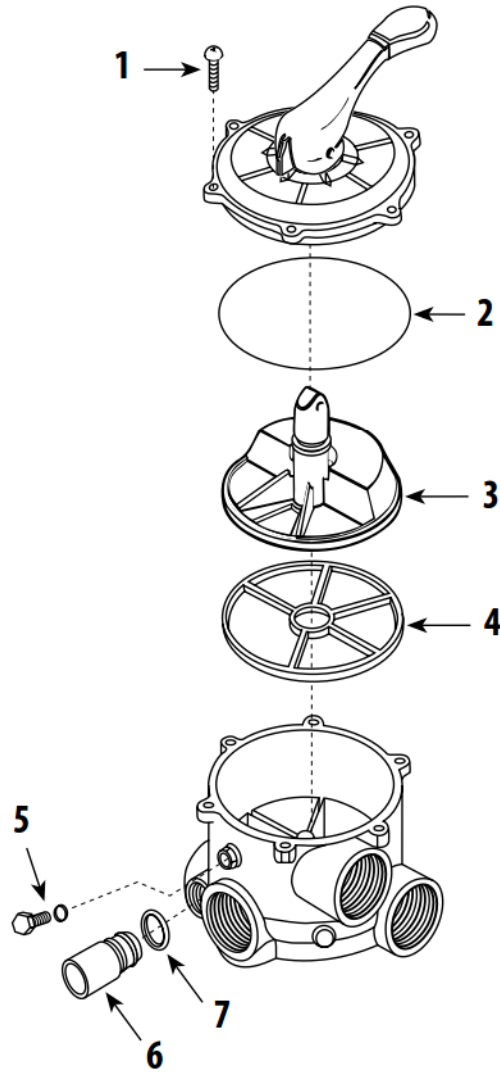
Hard Pump Options

1	400-4061	1 1/2" Socket Pump Union Assembly
2	415-4001	1 1/2" Union Nut
3	500-1901	1 1/2" Socket Return Sweep Assembly

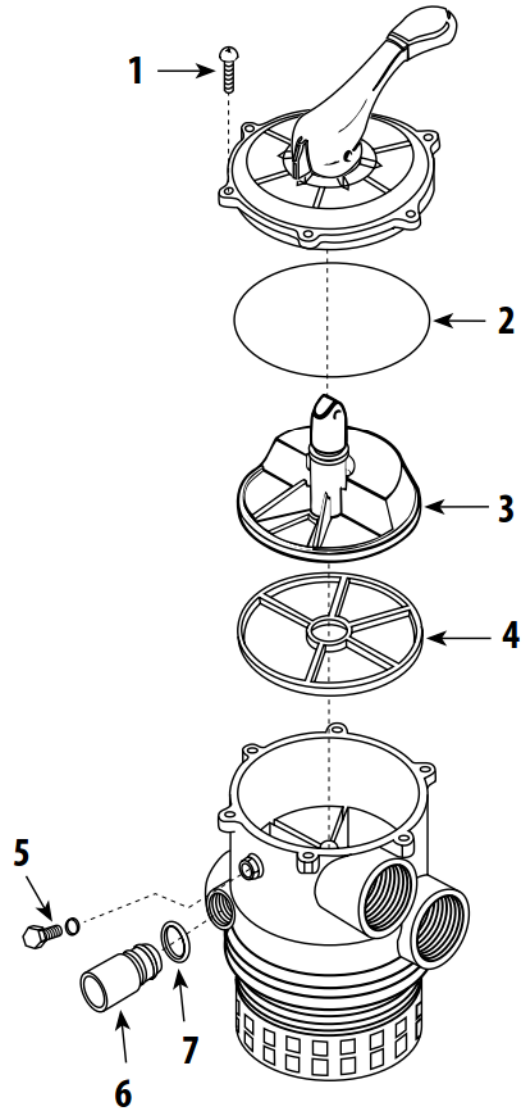


Replacement Parts / Multi-Port Valves - Side Mount and Top Mount

SIDE MOUNT



TOP MOUNT



SmartClean Sand and Crystal Water D.E. Multi-Port Valve Replacement Parts

Item	Part No.	Description	Valve Size
1	819-0010	Screw	1 1/2" and 2"
2	873-E752	O-Ring - Cover	1 1/2"
	805-0254	O-Ring - Cover	2"
3	602-1910	Diverter (Noryl)	1 1/2"
	873-E1011S2	Diverter (Noryl)	2"
4	873-E12S1	Spider Gasket (T.P.E.)	1 1/2"
	873-E12S2	Spider Gasket (T.P.E.)	2"
5	873-E15S1	1/4" Plug	1 1/2" and 2"
6	873-E17S1	Sight Glass (Lexan)	1 1/2" and 2"
7	873-E16S1	Sight Glass Gasket	1 1/2" and 2"