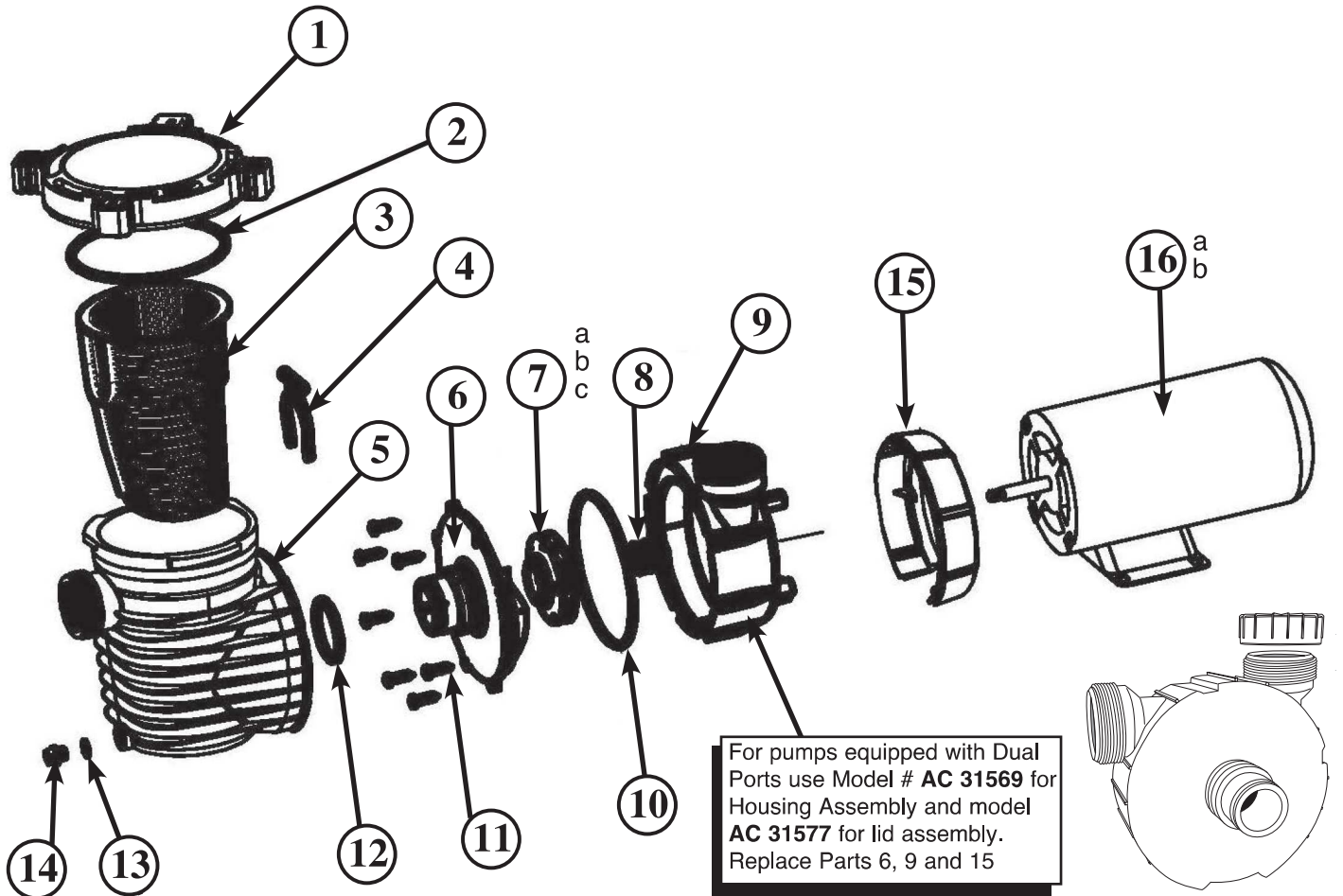


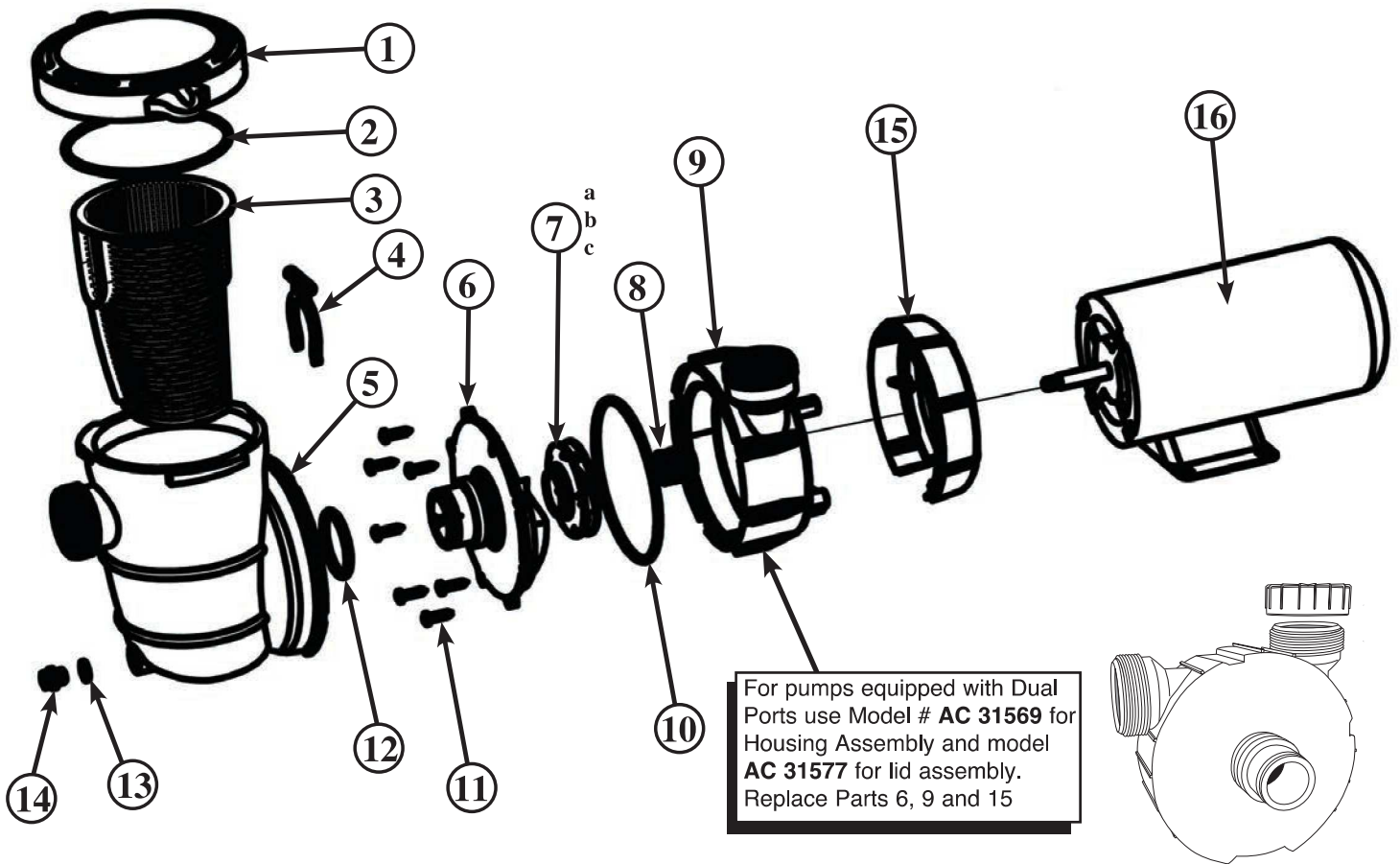
JH PUMP PARTS BREAKDOWN



For pumps equipped with Dual Ports use Model # **AC 31569** for Housing Assembly and model **AC 31577** for lid assembly. Replace Parts 6, 9 and 15

PART #	MODEL #	DESCRIPTION	JHH	JHHT	JHV	JHVT
1	AC 81361	Pump Lid	1	1	1	1
2	AC 81396	Pump Lid O-Ring	1	1	1	1
3	AC 81434	Pump Basket	1	1	1	1
4	AC 81744	Strainer Clip	1	1	1	1
5	AC 23604	Strainer Housing	1	1	1	1
6	AC 81779	Pump Cover	1	1	1	1
7A	AC 81795	Impeller 1 HP	1	1	1	1
7B	AC 81817	Impeller 1.5 HP	1	1	1	1
7C	AC 81868	Impeller 2 HP	1	1	1	1
8	AC 81876	Seal Set	1	1	1	1
9	AC 81884	Pump Housing	1	1	1	1
10	AC 81892	Pump Housing O-Ring	1	1	1	1
11	AC 81914	Pump Screws	8	8	8	8
12	AC 81922	Pump Cover O-Ring	1	1	1	1
13	AC 81590	Drain Plug O-Ring	1	1	1	1
14	AC 81620	Drain Plug	1	1	1	1
15	AC 83429	Motor Flange	1	1	1	1
16A	AC 50520	Power Cord Standard	1		1	
16B	AC 50563	Power Cord Twist Lock		1		1

MAXI-PUMP PARTS BREAKDOWN



For pumps equipped with Dual Ports use Model # **AC 31569** for Housing Assembly and model **AC 31577** for lid assembly. Replace Parts 6, 9 and 15

PART #	MODEL #	DESCRIPTION	MXH	MXHT	MXV	MXVT
1	AC 81361	Pump Lid	1	1	1	1
2	AC 81396	Pump Lid O-Ring	1	1	1	1
3	AC 81434	Pump Basket	1	1	1	1
4	AC 81744	Strainer Clip	1	1	1	1
5	AC 81760	Strainer Housing	1	1	1	1
6	AC 81779	Pump Cover	1	1	1	1
7A	AC 81795	Impeller 1 HP	1	1	1	1
7B	AC 81817	Impeller 1.5 HP	1	1	1	1
7C	AC 81868	Impeller 2 HP	1	1	1	1
8	AC 81876	Seal Set	1	1	1	1
9	AC 81884	Pump Housing	1	1	1	1
10	AC 81892	Pump Housing O-Ring	1	1	1	1
11	AC 81914	Pump Screws	8	8	8	8
12	AC 81922	Pump Cover O-Ring	1	1	1	1
13	AC 81590	Drain Plug O-Ring	1	1	1	1
14	AC 81620	Drain Plug	1	1	1	1
15	AC 83429	Motor Flange	1	1	1	1
16A	AC 50520	Power Cord Standard	1	1	1	1
16B	AC 50563	Power Cord Twist Lock	1	1	1	1