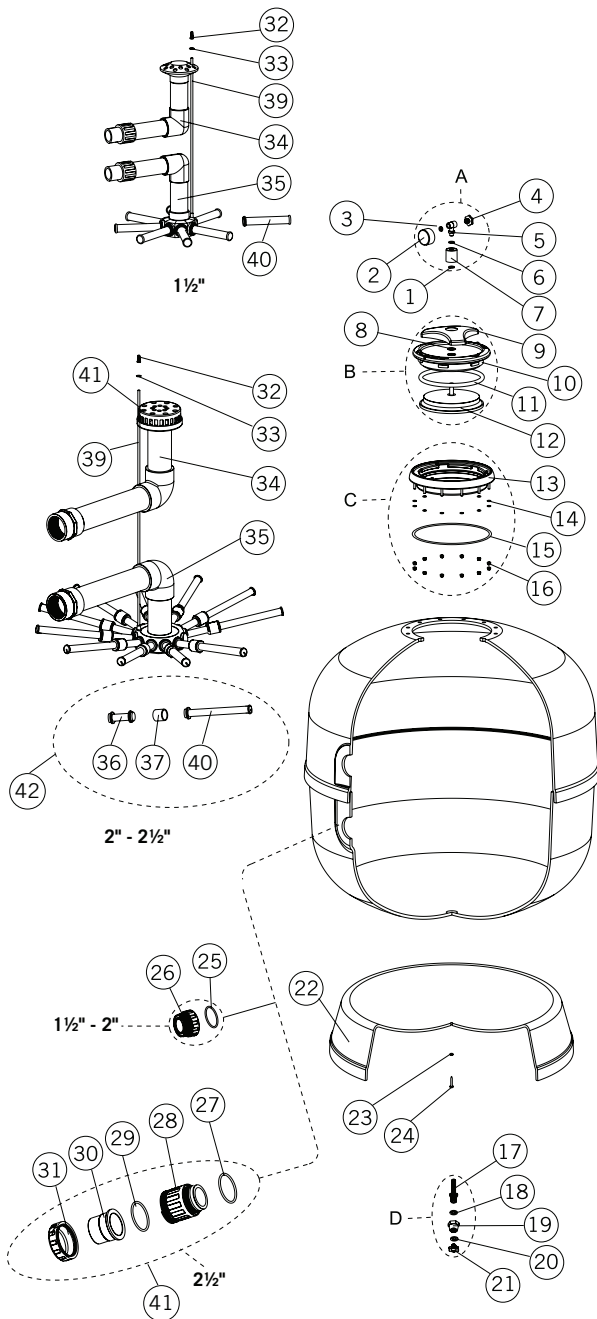


Aster Filter

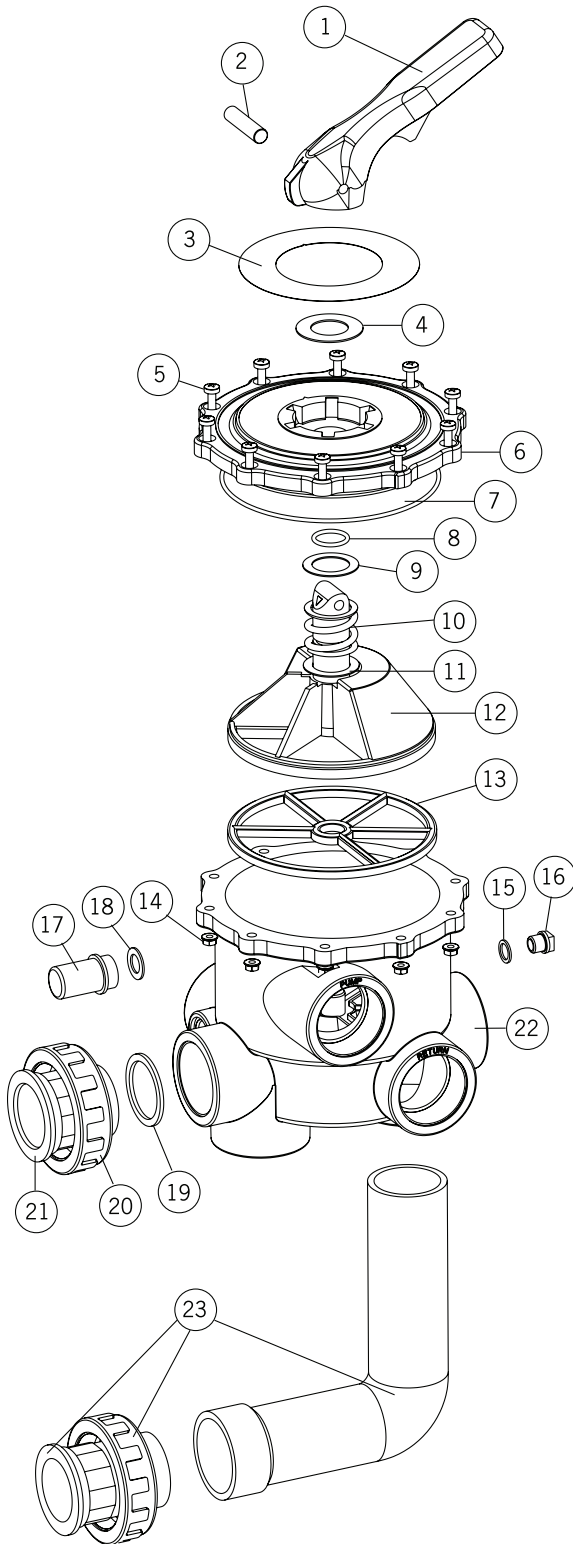
24", 30", & 36" Code: 28342, 27802, 27857, 27803



ITEM	PART NO.	DESCRIPTION	QUAN.
A	4404020101	PRESSURE GAUGE KIT	1
B	4404020102	LID KIT	1
C	4404020108	CLAMP SET KIT	1
D	00496R0503	WATER DRAIN	1
1	773R0070020	PLUG GASKET	1
2	08077R0503	PRESSURE GAUGE 1/8"	1
3	7730070020	PLUG GASKET	1
4	07406R5008A	AIR RELIEF VALVE	1
5	00555R0401	TEE ADAPTOR	1
6	00470R0319	FLAT GASKET	1
7	00496-0901	SUPPORT AIR RELIEF	1
8	70119R12000	WASHER (STAINLESS)	1
9	00496R0700	LID CAP KEY	1
10	00496R0907	SUPPORT LID	1
11	7401700120	O-RING LID	1
12	00496R0800	LID	1
13	4404020108	O-RING COLLAR	1
14	70120R06000	INOX GASKET	12
15	720R2550050	PLUG GASKET	1
16	70122R06000	NUT	12
17	00496-0501	WATER DRAIN SET	1
18	7230140040	GASKET	1
19	00496-0502	SAND DRAIN CAP	1
20	7240130030	PLUG GASKET	1
21	00648R0202	WATER DRAIN PLUG	1
22	00495R0500	BASE 24"	1
22	00496R1000	BASE 30"	1
22	00501R0400	BASE 36"	1
23	72139R07000	WASHER (STAINLESS)	1
24	721R4206025	BOLT FOR 24" & 30"	1
24	70152R63032	BOLT FOR 36"	1
25	723R0600080	O-RING FOR 2" CONNECTION	1
26	00470R0211	NUT FOR 24" (1 1/2" CONNECTIONS)	1
26	00469-0316	NUT FOR 30" & 36" (2" CONNECTIONS)	1
27	723R0700065	O-RING FOR 2.5" CONNECTION	1
28	00544R0107	2.5" SPECIAL FITTING	1
29	7230700050	O-RING FOR 2.5" CONNECTION	1
30	00545-0303	BULK HEAD UNION ADAPTOR	1
31	00545R0302	UNION NUT	1
32	00497R0411	AIR RELIEF TUB CUP	1
33	00470-0319	FLAT GASKET	1
34	00499R0500	DIFFUSER ASSEMBLY FOR 24"	1
34	00500R0500	DIFFUSER ASSEMBLY FOR 30"	1
34	08133-0201	DIFFUSER ASSEMBLY FOR 36"-2" CONNECTIONS	1
34	00501R0500	DIFFUSER ASSEMBLY FOR 36" - 2.5" CONNECTIONS	1
35	00499R0600	COLLECTOR ASSEMBLY FOR 24"	1
35	00500R0600	COLLECTOR ASSEMBLY FOR 30"	1
35	08133-0202	COLLECTOR ASSEMBLY FOR 36"-2" CONNECTIONS	1
35	00501R0600	COLLECTOR ASSEMBLY FOR 36" WITH 2 1/2" CONNECTIONS	1
36	06438	LATERAL ARM FOR 36"	12
37	06439	COUPLING FOR 36"	12
38	06435	1" LATERAL, 8 7/8 FOR ASTER	12
39	04959R0431	AIR RELIEF TUB FOR 24" & 30"	12
39	04959R0432	AIR RELIEF TUB FOR 36"	1
40	06436	LATERAL ARM 6 7/8" FOR 24" & 36"	7
41	08080R4000	DIFFUSER CONE	1
42	00501R0310	LATERAL ARM 6 7/8" FOR 24" & 36"	7

Multiport Valve

2" Side Mount Code: 09848, 28225, 28226, 18676



ITEM	PART NO.	DESCRIPTION	QUAN.
1	07441R0101	HANDLE	1
2	00600R0202	HANDLE PIN	1
3	09848R0201	LID LABEL	1
4	00545-0204	WASHER	1
5	70132R06027	BOLT	10
6	07441R0200	VALVE LID	1
7	722R0160040	COVER O-RING	1
8	722R0218035	ROTOR AXLE O-RING	1
9	00600R0207	SPRING FRICTION WASHER	1
10	00600R0208	SPRING	1
11	00600R0209	SPRING SUPPORT WASHER	1
12	07441R0102	ROTOR	1
13	07441R0002	SPIDER GASKET	1
14	70121R06000	NUT	10
15	00600R0205	PLUG O-RING	1
16	19028-0103	DRAIN PLUG	1
17	00600R0002	SIGHT GLASS	1
18	00600R0001	SIGHT GLASS GASKET	1
19	00612-0001	FLAT GASKET	1
20	00611-0002	UNION NUT	1
21	00612R0002	UNION	1
22	09848-0101	BODY 09848, 28255 & 28226	1
22	18156-0101	BODY 18676	1
23	07444R0200	CONNECTION FITTING FOR 09848 & 28225	1
23	28226R0200	CONNECTION FITTING FOR 28226	1
23	16341R0200	CONNECTION FITTING FOR 18676	1
24	70118R06000	WASHER	10
26	722R0563053	O-RING	2
27	00612R0203	FITTING FOR 28225	1