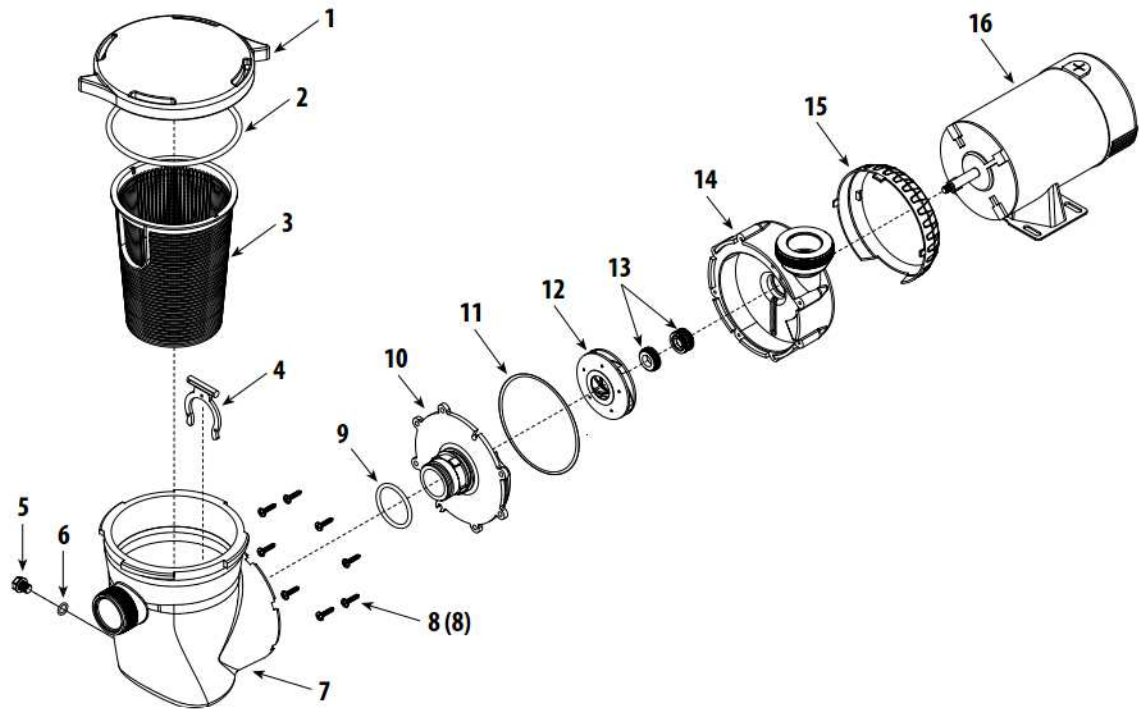




Replacement Parts / Supreme Pump



Supreme Pump Replacement Parts

| Item | Part No. | Description |
|------|------------------------------|--|
| 1 | 511-1310 | Trap Lid |
| 2 | 805-0439 | O-Ring #439 |
| 3 | 319-1530 | Trap Basket |
| 4 | 319-1540 | C-Clip |
| 5 | 715-1201 | 3/8" Quarter Slot Drain Plug |
| 6 | 805-0112 | O-Ring - Drain Plug |
| 7 | 319-1510 | Trap Body |
| 8 | 819-0800 | Screw #12 x 1" Self-Tapping Pan Head Phillips (8 required) |
| 9 | 805-0330 | O-Ring #2-330 |
| 10 | 311-1520 | Faceplate |
| 11 | 805-0001-SPL | O-Ring Face Plate Volute |
| 12 | 310-5080 | 3/4 HP Impeller Assembly |
| | 310-5090 | 1 HP Impeller Assembly |
| | 310-5100 | 1 1/2 HP Impeller Assembly |
| 13 | 319-3010B | Pump Seal Kit |
| 14 | 315-1510 | Volute |
| 15 | 319-1550 | Volute Cosmetic Cover |
| 16 | -- | Motor |
| 17 | 741-CGGZ-67R | 3 ft. Electrical Cord - Regular Plug |
| 18 | 741-CGGZ-37L | 3 ft. Electrical Cord - Twist-lock Plug |